

# *Kid Kart Xpress*

*User*

*Instruction*

*Manual &*

*Warranty*

**SUPPLIER:**

THIS MANUAL MUST BE GIVEN TO THE USER OR OWNER OF THIS DEPENDENT MOBILITY BASE.

BEFORE USING THIS DEPENDENT MOBILITY BASE READ THIS ENTIRE MANUAL AND SAVE FOR FUTURE REFERENCE.



- With Transit Option
- Without Transit Option

**SUNRISE LISTENS**

Thank you for choosing this dependent mobility device. We want to hear your questions or comments about this manual, the safety and reliability of your mobility device, and the service you receive from your Sunrise Medical supplier. Please feel free to write or call us at the address and telephone number below:

**SUNRISE MEDICAL**  
**7477 East Dry Creek Parkway**  
**Longmont, CO 80503**  
**303-218-4600**  
**800-333-4000**

Be sure to return your warranty card, and let us know if you change your address. This will allow us to keep you up to date with information about safety, new products and options to increase your use and enjoyment of this mobility device. If you lose your warranty card, call or write and we will gladly send you a new one.

**FOR ANSWERS TO YOUR QUESTIONS**

Your authorized supplier knows your mobility device best and can answer most of your questions about safety, use and maintenance. For future reference, fill in the following:

**Supplier:** \_\_\_\_\_

**Address:** \_\_\_\_\_

\_\_\_\_\_

**Telephone:** \_\_\_\_\_

**Serial #:** \_\_\_\_\_ **Date/Purchased:** \_\_\_\_\_

## II. TABLE OF CONTENTS

<b>I. INTRODUCTION</b> .....	3
<b>II. TABLE OF CONTENTS</b> .....	4
<b>III. YOUR XPRESS AND ITS PARTS</b> .....	6
<b>IV. GENERAL WARNINGS</b> .....	8
A. Weight Limit .....	8
B. Getting To Know Your Xpress.....	8
C. Safety Checklist.....	8
D. Changes & Adjustments .....	9
E. Environmental Conditions .....	9
F. Street Use .....	9
G. Motor Vehicle Safety .....	9
H. For Caregivers.....	10
<b>V. WARNINGS FOR SAFE USE</b> .....	11
A. Transit Use.....	11
B. Center of Balance .....	12
C. Dressing of Changing Clothes.....	12
D. Obstacles .....	12
E. Reaching or Leaning.....	12
F. Ramps, Slopes & Side Hills .....	13
G. Transfers .....	13
H. Curbs & Steps .....	13
I. Climbing Stairs .....	14
J. Descending Stairs .....	14
K. Escalators .....	14
L. Maintenance.....	14
<b>VI. WARNINGS FOR COMPONENTS &amp; OPTIONS</b> .....	15
A. Transit Option.....	15
B. Anti-Tip Tubes .....	16
C. Tray Support .....	16
D. Cushions.....	16
E. Fasteners .....	16
F. Footbeds.....	16
G. Tires.....	17
H. Positioning Belts .....	17
I. Power Drive .....	17
J. Attendant Handle.....	17
K. Quick-Release Axles .....	17
L. Wheel Locks .....	17
M. Modified Seat Systems.....	17
N. Upholstery Fabric.....	17

# II. TABLE OF CONTENTS

<b>VII. OPERATING INSTRUCTIONS</b> .....	18
A. Wheel Locks .....	18
B. Unfolding .....	18
C. Folding Frame & Rotating Handle Into Storage Position .....	19
D. Rear Wheel Removal & Installation .....	21
E. Transit Use.....	22
F. Positioning Shell Installation.....	24
G. Positioning Shell Removal.....	24
H. Tilt-In-Space (TIS) Angle Adjustment.....	25
I. Hip Angle Adjustment .....	25
J. Recline Adjustmnet .....	25
K. Knee Angle Adjustment.....	26
L. Sunshade Installation & Adjustment.....	26
M. Positioning & Growth Adjustments Guide.....	27
N. Seat Depth Adjustment.....	27
O. Standard Seat Cushion Adjustment .....	28
P. Contoured Seating System Cushion Adjustments .....	28
Q. Standard Cushion without Lateral Hip Support.....	29
R. Back Positioning Plate Height Adjustment .....	30
S. Back Cushion Height Adjustment.....	30
T. Footbed Adjustments .....	30
U. Pelvic Positioning Belt Length Adjustment .....	31
V. Pelvic Positioning Belt Position Adjustment.....	31
W. Butterfly Harness .....	32
X. Lateral Trunk Supports Assembly to the Seating Shell .....	33
Y. Lateral Trunk Support .....	34
Z. Whitmyer Head Supports .....	35
AA. Head Support Models DFSQ1, DFSQ3, DFSQ10, DFSQ30 ..	36
BB. Hip pads .....	38
CC.Knee Adductors .....	38
DD.Knee Abductor Block Adjustment .....	39
EE. Tray Support Adjustment .....	39
FF. Tray Installation & Adjustment .....	39
GG.Foot Strap Adjustment .....	40
HH.Shoe Holder Strap Adjustment.....	40
<b>VIII. MAINTENANCE</b> .....	<b>41</b>
<b>IX. LIMITED WARRANTY</b> .....	<b>42</b>

### III. YOUR XPRESS AND ITS PARTS



### KID KART XPRESS

- |  |  |
|--|--|
| 1. Wheel locks                                 | 8. Sunshade adjustment control         |
| 2. Safety Lockout Pin                          | 9. Positioning shell                   |
| 3. Recline Control (optional)                  | 10. Mobility base                      |
| 4. Addentant handle adjustment control button  | 11. Tilt in space block                |
| 5. Transit Option (optional) securement points | 12. Tilt in space adjustment mechanism |
| 6. Footbed adjustment mechanism                | 13. Tray support                       |
| 7. Anti-tip tubes                              | 14. Trigger mechanism                  |

**KID KART XPRESS TECHNICAL SPECIFICATIONS**

**Weight:**

34 lbs.  
 Shell only weight: 16 lbs.  
 Base only weight: 18 lbs.

**Color Options**

Frame:  
 Purple, Silver, Pink, Black

Seating Shell Fabric Colors:  
 Jazz, Classic, Kaki-Smoke, Red-Black

Seat & Back Fabric Colors:  
 Black (US Only), Gray, Navy

**Adjustment ranges:**

Tilt range: 0-45°  
 Recline: 85° to 130°  
 Handle bar height: 36.5" to 41"  
 Seat depth: 5.5" to 13"  
 Seat width (at hip): 11.5"  
 w/opt. lateral hip supports 6.5"-10"  
 Knee width: 13" w/opt. lateral knee supports 5"-11"  
 Top of head to seat: 13" to 22"  
 Top of shoulder to seat: 7.5" to 16"  
 Axilla (under arm) to seat: 4.5" to 12"  
 Chest width: 4" to 10"  
 Width of head: 3.75" to 7"  
 Shoulder width: 5" to 11"  
 Lower Leg/Foot: 5" to 14"  
 Footbed adjustment:  
 70° to 170° extension

**Dimensions:**

Overall Width: 24"  
 Floor-to-seat height: 21"  
 Folded dimensions: 24" X 28" X 20"

**Seating Options**

Standard Cushion without-Lateral Hip Support  
 Adjustable Contour Cushion w/o Lateral Hip Support

All features may not be available with some configurations or in conjunction with another product feature. Please consult your supplier or customer service for more information. Your authorized supplier can also provide you with more information on accessories.

Throughout this section, you will find general warnings for the safe use of your dependent mobility device. It is important that you read and understand these warnings before you use this product. **If you fail to do so, a fall, tip over or loss of control may occur and cause severe injury to the rider, you or others.**

## **▲ WARNING**

### **A. WEIGHT LIMIT**

Never exceed the weight limit for the rider (55 lbs) or for items carried in the storage areas (15 lbs). The combined weight limit for the rider and storage areas is 70 pounds. Never use the mobility device for more than one rider.

### **B. GETTING TO KNOW YOUR XPRESS**

Read all instructions before using this product. In particular, you should:

1. Be trained in the safe use of this product by your health care professional.
2. Practice bending, reaching and transfers until you know the limit of your ability. Have someone help you until you know what can cause a fall or tip over and how to avoid doing so.
3. Be aware that you must develop methods for safe use best suited to your level of function and ability.
4. Never try a new maneuver on your own until you are sure you can do it safely.
5. Get to know the areas where you plan to use your mobility device. Look for hazards and learn how to avoid them.
6. Always use anti-tip tubes when this product is unfolded and in use.

### **C. SAFETY CHECKLIST**

Before each use of this product:

1. Wheel locks must be adjusted to maintain proper performance. Always engage the wheel locks before transferring a child.
2. Make sure the mobility device rolls easily and that all parts work smoothly. Check for noise, vibration, or a change in ease of use. (They may indicate low tire pressure, loose fasteners, or other damage).
3. Repair any problem you may encounter. Your authorized supplier can help you find and correct any problems.
4. Check to see that both quick-release rear axles are locked. When locked, the axle button will "pop out" fully. If not locked, the wheel may come off and cause a fall.
5. Lock the anti-tips in place.
6. Never seat your child in the mobility device until it is fully unfolded and locked.
7. Use a pelvic positioning belt when the child is seated.
8. Never leave your child unattended.

**D. CHANGES & ADJUSTMENTS**

1. See your health care professional and have them adjust components and accessories as your child grows.
2. Unauthorized modifications or use of parts not supplied or approved by Sunrise Medical may change the product's structure. This will void the warranty and may cause a safety hazard.

**E. ENVIRONMENTAL CONDITIONS**

1. Your mobility device is designed for use on firm, even surfaces such as concrete, asphalt and indoor floors and carpeting.
2. Use extra care if you must use this mobility device on a wet or slick surface. If you are in doubt, ask for help.
3. Do not use this product in a shower, pool or other bodies of water.
4. Do not operate your mobility device in sand, loose soil or over rough terrain.

**F. STREET USE**

1. This product is not intended for street use.
2. Be alert to the danger of motor vehicles on roads or in parking lots.
3. At night, or when lighting is poor, use reflective tape or clothing.
4. Due to your child's low position, it may be hard for drivers to see the rider. Make eye contact with drivers before you go forward. When in doubt, yield until you are sure it is safe.

**G. MOTOR VEHICLE SAFETY**

As indicated on the front cover of this user manual, identify whether your chair has been manufactured with the Transit Option installed.

**▲ WARNING**

**NEVER USE THE MOBILITY DEVICE SHELL AS A CAR SEAT.**

If your chair is NOT equipped with the Transit Option:

Mobility device products do not meet federal standards for motor vehicle seating.

1. NEVER let anyone sit in this product while in a moving vehicle.
2. ALWAYS move the rider to an approved vehicle seat.
3. ALWAYS secure the rider with proper motor vehicle restraints.
4. In an accident or sudden stop the rider may be thrown from the mobility device. Mobility device pelvic positioning belts will not prevent this and further injury may result from these belts or straps.
5. NEVER transport this mobility device in the front seat of a vehicle. It may shift and interfere with the driver.
6. When being transported in a vehicle, ALWAYS secure the unoccupied mobility device so that it cannot roll or shift.
7. Do not use this product if it has been involved in a motor vehicle accident.

**If your chair is equipped with the Transit Option, refer to the following sections:**

V. Warnings for Safe Use: A. Transit Use; VI. Warnings for Components & Options:

A. Transit Use; and VII. Operating Instructions: E. Transit Use.



**H. FOR CAREGIVERS**

1. Work with the child's health care professional to learn safe methods best suited to your abilities and those of your child.
2. To prevent injury to your back, use good posture and proper body mechanics when lifting or tilting your child.
3. Remind the child to lean back when you tilt the mobility device backward.
4. When you descend a curb or single step, slowly lower the mobility device in one easy movement.
5. NEVER leave the child alone.
6. When making adjustments to the mobility device, always engage the wheel locks to help minimize unintended movement.

**A. TRANSIT USE**

1. If possible and feasible, the child should be transferred to a car seat and the vehicle restraint used.
2. **If the mobility device is used for transport and has been installed with the Transit Option, it must be used in a vehicle equipped for forward-facing securement during transport.**
3. The rider must not weigh more than 55 lbs.
4. Figures 1 & 2 show the location of the transit securement points (A) for this product.
5.
  - For children over 20lbs. use only with Wheelchair Tiedown and Occupant Restraint Systems (WTORS) that have been installed in accordance with the manufacturer's instructions and SAE J2249.
  - 5b. For children 20lbs and under. use only with Wheelchair Tiedown that have been installed in accordance with the manufacturer's instructions and SAE J2249. You must use the occupant restraints provided with the Kid Kart Express.
6. Attach WTORS to securement points in accordance with the manufacturer's instructions and SAE J2249.
7. Attach occupant restraints supplied with your product that was equipped with the transit option in accordance with this owner's manual and SAE J2249.

**NOTE:** To obtain a copy of SAE J2249 Wheelchair Tiedown and Occupant Restraint Systems for Use in Motor Vehicles, please contact the Society of Automotive Engineers 724/776-4841 or [www.sae.org/](http://www.sae.org/)

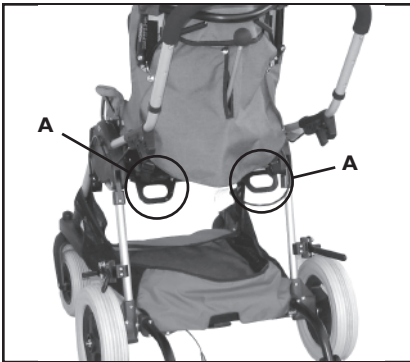


Figure 1- rear securement points

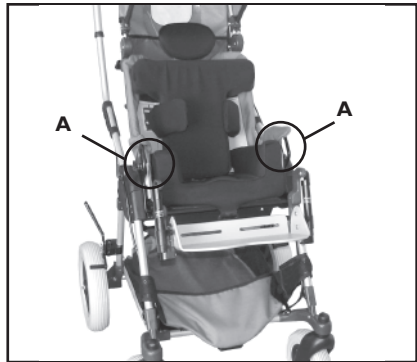


Figure 2- front securement points

## B. CENTER OF BALANCE

Kid Kart mobility devices are designed for stability and performance. The point where this device will tip forward, back, or to the side depends on its center of balance and stability. The center of balance is also affected by:

- The distance between the rear wheels.
- The seat height and seat angle.
- Backrest angle.
- Changes in your child's body position, postures or weight distribution.
- Pushing the mobility device on a ramp or slope.
- The use of a backpack or other options, and the amount of added weight.

To maintain the proper center of gravity and balance:

- Consult your therapist and supplier when the mobility device is set up.
- Consult your authorized supplier or therapist **BEFORE** you modify or adjust the mobility device.
- Use anti-tip tubes.

## C. DRESSING OR CHANGING CLOTHES

Your child's weight may shift if you dress or change your child's clothes while they are seated in the mobility device. To reduce the risk of a fall or tip over while changing clothes or diapers:

- Rotate the front casters until they are as far forward as possible.
- Engage the wheel locks
- Ensure that anti-tip tubes are in the down position.

## D. OBSTACLES

Obstacles and road hazards (such as potholes and broken pavement) can damage your mobility device and may cause a fall, tip over or loss of control. To avoid these risks:

- Scan the area well ahead for danger as you push the mobility device.
- Make sure the floor areas ahead are level and free of obstacles.
- Install a ramp at entry or exit doors. Make sure there is not a drop off at the bottom of the ramp.

## E. REACHING OR LEANING

If your child reaches or leans it will affect the center of balance of your mobility device. This may cause a fall or tip over.

- **NEVER** allow your child to reach or lean if they must shift their weight sideways, forward, or backward and rise up off the seat.
- If your child must reach, move the mobility device as close as you can to the object they wish to reach and rotate the front casters until they are as far forward as possible.

**NOTE:** To do this: Move your mobility device past the object you want to reach, then back up alongside it.

## F. RAMPS, SLOPES & SIDE HILLS

Pushing the mobility device on a slope, including ramps or hills, will change the center of balance. A few safety reminders include:

1. Do not push this product on a slope steeper than 10%. (A 10% slope means: one foot in elevation for every ten feet of slope length.)
2. Do not turn or change direction on a slope or ramp.
3. For your child's safety, ramps at home and work must meet all legal requirements for your area.
4. Always stay in the CENTER of the ramp.
5. Use a ramp with guardrails (or raised borders at least 3" high).
6. Always go straight up and straight down on hills or ramps.
7. Do not stop on a steep slope.
8. Watch for a drop-off at the bottom of a slope or ramp.
9. Do not engage the wheel locks to slow or stop your mobility device.
10. Beware of wet or slippery surfaces.
11. Do not recline or tilt the shell while going up hills.
12. Ask for help any time you are in doubt.

## G. TRANSFERS

1. Work with your health care advisor to learn safe transfer and lifting methods.
2. Have someone help you until you know how to do a safe transfer of your child on your own.
3. Engage the wheel locks before you transfer. This keeps the rear wheels from rolling.
4. Move your child's mobility device as close as you can to the seat you are transferring to.
5. Rotate the front casters until they are as far forward as possible.
6. Transfer your child as far back onto the seat surface as you can. This will reduce the risk that the mobility device will tip or move away from you.

## H. CURBS & STEPS

Follow the instructions below for descending or climbing a stair or curb. Do not try to climb a high curb or step (more than 4 high) unless you have help. Doing so may cause your mobility device to exceed its balance point and tip over.

To descend a curb or single step going BACKWARD:

1. Stay at the rear of the mobility device.
2. Several feet before you reach the edge of the curb or step, turn the mobility around and pull it backward.
3. While looking over your shoulder, carefully step back until you are off the curb or stair and standing on the lower level.
4. Pull your mobility device toward you until the rear wheels reach the edge of the curb or step. Then allow the rear wheels to slowly roll down onto the lower level.

5. When the rear wheels are safely on the lower level, tilt the mobility device back to its balance point. This will lift the front casters off the curb or step.
6. Keep the mobility device in balance and take small steps backward. Turn the mobility device around and gently lower front casters to the ground.

To climb a step or curb going FORWARD:

1. Stay behind the mobility device.
2. Face the curb and tilt the mobility device up on the rear wheels so that the front casters clear the curb or step.
3. Move forward, placing the front casters on the upper level as soon as you are sure they are past the edge.
4. Continue forward until the rear wheels contact the face of the curb or step. Lift and roll the rear wheels to the upper level.

### **I. CLIMBING STAIRS**

1. Use at least two attendants to move this mobility device up stairs.
2. Move the mobility device and rider BACKWARD up the stairs.
3. The person at the rear is in control. He or she tilts the mobility device back to its balance point.
4. A second attendant at the front firmly grasps a non-detachable part of the front frame and lifts the mobility device up and over one stair at a time. You may want to rotate the anti-tippers up so that they do not interfere with steps.
5. The attendants move to the next stair up. Repeat for each stair, until you reach the landing.

### **J. DESCENDING STAIRS**

1. Use at least two attendants to move an occupied mobility device down stairs.
2. Move the mobility device and rider FORWARD down the stairs.
3. The person at the rear is in control. He or she tilts the mobility device to the balance point of the rear wheels and rolls it to the edge of the top step.
4. A second attendant stands on the third step from the top and grasps the frame. He or she lowers the chair one step at a time by letting the rear wheels roll over the stair edge.
5. The attendants move to the next stair down. Repeat for each stair, until you reach the landing.

### **K. ESCALATORS**

NEVER use this mobility device on an escalator, even with an attendant.

### **L. MAINTENANCE**

Proper maintenance of your mobility device will ensure a long life for the product. Inspect and maintain this mobility device per the Maintenance details listed in the back of this booklet. If you detect a problem, make sure to service or repair the product before use.

## VI. ⚠️ WARNINGS FOR COMPONENTS & OPTIONS

Below are warnings for various standard and optional components for your Xpress. (Options may vary based on your Kid Kart model.) If you fail to heed these warnings, you may cause damage to your Kid Kart, a fall, tip over or a loss of control that may cause severe injury to the child, caregiver or others.

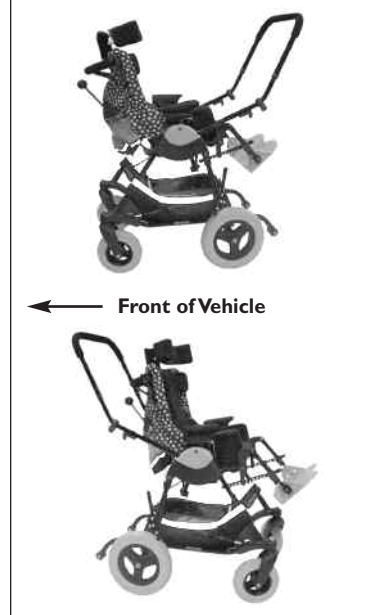
### A. TRANSIT OPTION

1. Use only Wheelchair Tiedown and Occupant Restraint Systems (WTORS) which meet the requirements of SAE J2249 Recommended Practice - Wheelchair Tiedown and Occupant Restraint Systems for Use in Motor Vehicles. Do not use WTORS designed to rely on the stroller structure to transfer occupant restraint loads to the vehicle.
2. Attach occupant restraints supplied with your product that was equipped with the transit option in accordance with this owner's manual and SAE J2249.
3. • For children over 20lbs the positioning shell/mobility base unit has been dynamically tested with the occupant facing forward for a 30 mph (48-km/h) frontal impact test. The occupant must be facing the front of the vehicle during transport. See Figure A.  
• For children 20lbs and under the positioning shell/mobility base unit has been dynamically tested with the occupant facing rearward for a 30 mph (48-km/h) frontal impact test. The occupant must be facing the rear of the vehicle during transport. See Figure B.

Figure A\_Forward Facing



Figure B\_Reversed Facing



4. Postural supports and positioning devices should not be relied on for occupant restraint, other than the occupant restraint system provided with the system. See Figure C.
5. To reduce the potential of injury to vehicle occupants, mobility device mounted accessories, such as trays and respiratory equipment, should be removed, and secured separately. The optional Kid Kart Xpress vent tray, oxygen holder, and IV pole must also be removed and secured separately before using as a seat in a motor vehicle.
6. Do not alter or substitute mobility device frame parts, components or seating.
7. Sudden stops or impacts may structurally damage your stroller. Mobility devices involved in such incidents should be replaced.



**Figure C\_Occupant Restraint**

### **B. ANTI-TIP TUBES**

Anti-tip tubes can help keep your mobility device from tipping. Do not remove the anti-tip tubes and use in down position whenever the base is unfolded.

### **C. TRAY SUPPORTS**

1. Do not lift this product by its tray supports.
2. Do not rest drinks on tray supports.

### **D. CUSHIONS**

This mobility device's seating was designed for comfort and postural support. If seating component modifications are necessary, consult your therapist or clinician.

### **E. FASTENERS**

Many of the screws, screws and nuts on this product are special high-strength fasteners. **ONLY** use fasteners provided by an authorized supplier (or ones of the same type and strength, as indicated by the markings on the heads), do not over- or under-tightened fasteners, and If screws or screws become loose, tighten them as soon as you can.

### **F. FOOTBEDS**

1. At the lowest point, footbeds should be at least 2" off the ground. If set too low, footrest may interfere with obstacles you may encounter during normal use.
2. Adjustment of the footbed may cause interference with the casters in some positions. This may affect your ability to steer the Kart.
3. Avoid putting weight on the footbed. The mobility device may tip forward (or backward if shell has been reversed).
4. Never lift this mobility device by the footbeds.

**G. TIRES**

Proper inflation extends the life of your tires and makes your mobility device easier to use. Do not under- or over-inflate tires. Check weekly for proper inflation level, as listed on the tire side wall.

**H. POSITIONING BELTS**

Use positioning belts **ONLY** to help support the child's posture.

1. Make sure the rider does not slide down in the mobility device seat. The belts must be snug, but must not be so tight that they interfere with breathing. You should be able to slide your open hand, flat, between the belt and the rider.
2. Use positioning belts with a cooperative rider only. Make sure that you can remove the belts in an emergency.
3. **NEVER** Use Positioning Belts:
  - As a restraint.
  - On a child who is comatose, agitated or is prone to seizures.
  - As a motor vehicle restraint— except those that are included with the transit option for the purpose of occupant restraint.

**I. POWER DRIVE**

Do not install a power drive on this product.

**J. ATTENDANT HANDLE**

Your mobility device's attendant handle provides secure points for a caregiver to grasp the rear of this Kart, to prevent a fall or tip over. Check to make sure handle is locked in place after adjusting height.

**K. QUICK-RELEASE AXLES**

If this product has quick-release axles, ensure that both quick-release rear axles are locked before using this product. An axle is not locked until the quick-release button pops out fully. Quick-release axles should be inspected for function and any signs of wear or bending.

**L. WHEEL LOCKS**

Never engage wheel locks to slow or stop this product when it is moving. To keep the rear wheels from rolling, always engage both rear wheel locks when you transfer your child to or from this mobility device. Make sure lock arms embed in tires at least 1/8" when locked.

**M. MODIFIED SEATING SYSTEMS**

Do not change the seating system of your Kart **UNLESS** you consult your health care professional.

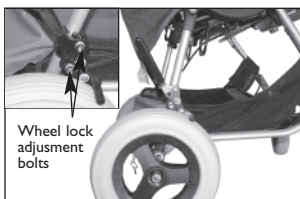
**N. UPHOLSTERY FABRIC**

Replace worn or torn seating cover fabrics as soon as you can, and be aware that laundering or excess moisture will reduce flame retardation of the fabric.



## A. WHEEL LOCKS

1. Loosen bolts and adjust wheel lock contact bar downwards. Lock arms should embed into tires minimum of 1/8th inch when locked.
2. With the wheel locks on the rear wheels should skid, not roll when the Kid Kart is pushed with a child in the product.



Wheel Lock Adjustment



Figure 1 (unlocked)



Figure 2 (locked)

## B. UNFOLDING

1. Unhook fold retaining strap and store in tray provided under seating shell.
2. Insert or rotate anti-tippers into a downward position facing the ground. (See Fig. 3)
3. Place the mobility base on the floor with wheel locks engaged. Make sure that the mobility base fold lock out pin is not inserted into the lock out hole. (See Fig. 3)
4. Lift the handle bar over into locked position, then lift up so that the frame unfolds and locks into an upright position. (See Fig. 4 and 5)
5. Insert the mobility base lock pin into the lockout hole. When inserted into the hole, the lock pin prevents the rear wheels and axle from folding under the Kart.

## **⚠** WARNING

**Before seating a child always check that the mobility base is properly locked in its upright position, that the fold lockout pin is inserted, and that the wheel locks are engaged.**



Figure 3



Figure 4

## VII. OPERATING INSTRUCTIONS



Figure 5



Figure 6

6. If the shell is being installed separately, see positioning shell installation instructions (Section VII-F). To position the shell back, depress the recline lever and pull back. Adjust legrest, tilt and optional recline to appropriate configuration. (See Fig. 6)

### C. FOLDING FRAME AND ROTATING HANDLE INTO STORAGE POSITION

Your Kid Kart is equipped with two stage folding

1. Stage one (See Fig. 8) does not effect the stroller wheels and base allowing only the handle to be brought forward to a storage position. This is useful for transporting the Kid Kart in the back of a vehicle.
2. Stage two (See Fig.7) allows complete folding of the Kid Kart handle and base. This folding system is accomplished via the two stage trigger.



Figure 7

Note: Seating system removed for clarity.

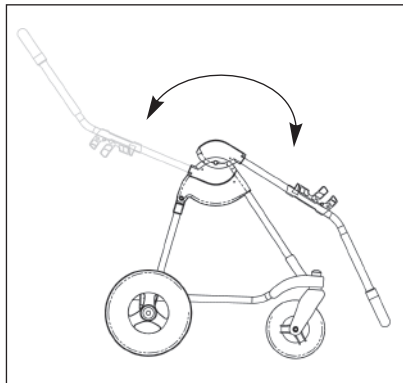


Figure 8

## VII. OPERATING INSTRUCTIONS

### TWO STAGE FOLDING TRIGGER

The release trigger works in two stages. (See Fig. 9 & 10) Stage one allows the handle to fold forward (See Fig. 9) only for more compact storage. Stage two allows the entire frame to collapse and fold (See Fig. 10).

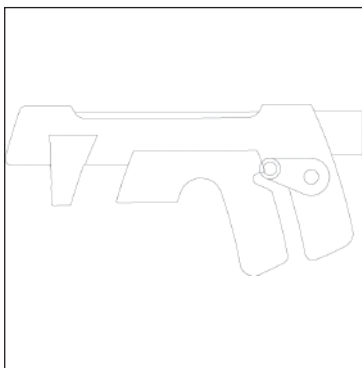


Figure 9

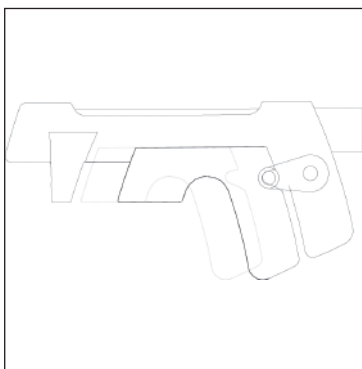
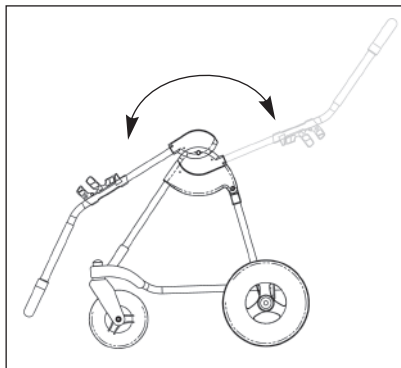
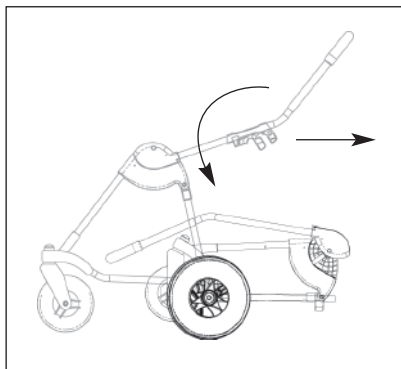


Figure 10



### HANDLE ONLY FOLDING (FIG. 9)

1. Remove the child from the seating system
2. Handle storage will work with or without the shell in the Kid Kart.
3. Engage the wheel locks
4. Activate the trigger handle as shown. (See Fig. 9)

## VII. OPERATING INSTRUCTIONS

### FOLDING FRAME COMPLETE

The mobility system folds compactly with the shell installed. The system is designed to fold with the seat shell installed in the forward facing position.

1. Engage wheel locks. Remove the child from the seat shell.
2. Elevate legrests, tilt seat to most forward position and fold the back forward. (See Section VII-C)
3. Pull the fold lockout pin out. (See Fig. 11)



Figure 11

### D. REAR WHEEL REMOVAL AND INSTALLATION

The rear wheels may be removed to reduce the mobility base storage size.

1. To remove, depress the axle release button in the center of the rear wheel and pull the whole wheel and axle out of the axle tube. (See Fig. 12)
2. To reinstall, align the axle with the axle tube end and depress the button to reinstall. Push axle and wheel assembly inward until it can go no further. When the wheel is properly installed and the axle release button will pop out.



Figure 12

### WARNING

**Pull on the wheel assembly to verify that it is locked in place. Occasionally, the wheels do not both snap into place. If this should happen, then swap the wheels to opposite sides.**

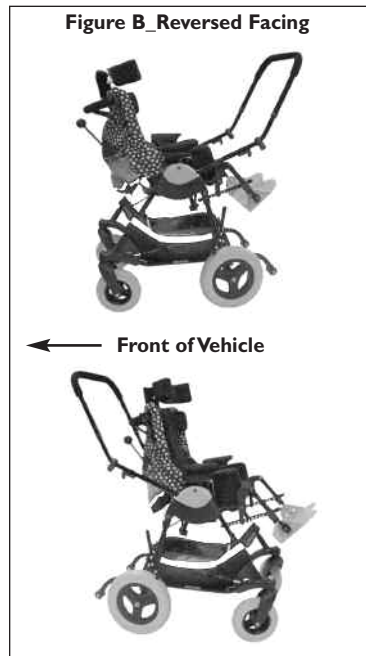
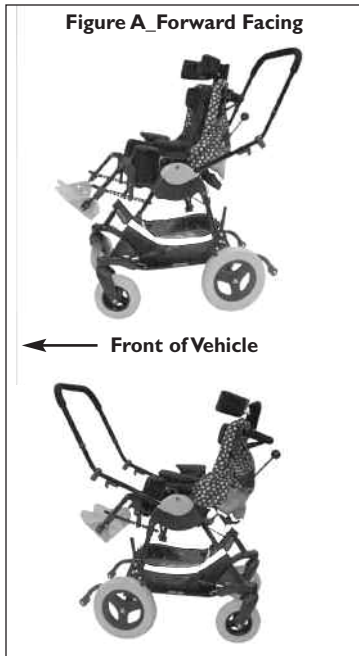
## VII. OPERATING INSTRUCTIONS

### E. TRANSIT USE

1. If possible and feasible, the rider should transfer to the vehicle seat and use the vehicle restraints.
2. • For children over 20lbs; the occupant must be facing the front of the vehicle during transport. See Figure A. A Wheelchair Tiedown and Occupant Restraint Systems (WTORS) that has been tested in accordance with SAE J2249 must be used.
  - For children 20lbs and under; the occupant must be facing the rear of the vehicle during transport. See Figure B. A Wheelchair Tiedown that has been tested in accordance with SAE J2249 must be used. The Occupant restraint straps provide with the Xpress must also be used. (See Figure C)



Figure C\_Occupant Restraint



## VII. OPERATING INSTRUCTIONS

3. Mobility device mounted accessories, such as trays and respiratory equipment, should be removed, and secured separately. The optional Kid Kart Xpress vent tray, oxygen holder, and IV pole must also be removed and secured separately before using as a seat in a motor vehicle.
4. The occupant must not weigh more than 55 pounds.
5. The location of the securement points is shown. (See Fig. 13,A)
7. Use only with WTORS that have been installed in accordance with the manufacturer's instructions and SAE J2249.
8. Attach WTORS to the securement points in accordance with the manufacture's instructions and SAE J2249.
9. Attach occupant restraints in accordance with the manufacturer's instructions and SAE J2249.

**Note:** To obtain a copy of SAE J2249 Wheelchair Tiedown and Occupant Restraint Systems for Use in Motor Vehicles, please contact: SAE International on the internet at [www.sae.org/](http://www.sae.org/) or by phone at 724/776-4841.

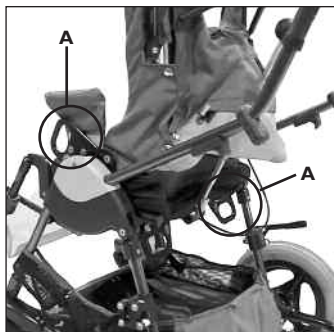


Figure 13

**F. POSITIONING SHELL INSTALLATION**

The positioning shell has a pivot post on each side that mounts the shell to the mobility base. The mobility base has a slot on each side that receives the shell pivot posts. The shell will not install onto, nor remove from, the mobility base when the mobility base push handle is folded. The positioning shell may be installed in a child facing forward or rearward position. Installation is the same either direction.



**Forward Position**



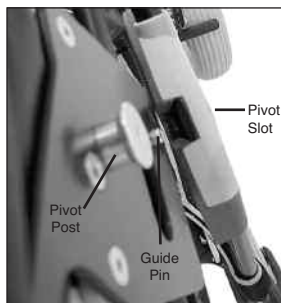
**Reversed Position**

Unfold the mobility base and be sure that the wheel locks are engaged.

1. Place the shell over the top of the mobility base, and squeeze the tilt-in-space (TIS) lever attached to the right side of the shell handle. (See Fig. 14)
2. Align the tilt-in-space guide pins and pivot posts with the mobility base pivot slots and lower the shell into place.
3. Adjust legrest, tilt and optional recline to appropriate configuration.

**G. POSITIONING SHELL REMOVAL**

1. Engage wheel locks. Remove child from Kart. The push handle must be in its normal use position to remove the shell.
2. Squeeze and hold the TIS lever. (See Fig. 14)
3. Lift the shell vertically from the mobility base.



**Figure 14**

**H. TILT-IN-SPACE (TIS) ANGLE ADJUSTMENT**

1. Engage wheel locks and move behind the child.
2. Support the shell with both hands and squeeze the TIS lever. It is on the right side of the shell handle. (See Fig. 15)
3. Orient the seating system in an appropriate position while watching the child.



Figure 15

**⚠ WARNING**

**Caution, be careful to avoid pulling or crimping any life support tubing that may be attached to the child.**

4. Release the TIS lever and move shell slightly to be sure that it locks into position.

**I. HIP ANGLE ADJUSTMENT (for Karts without recline)**

1. Adjust the fixed hip angle by removing the screw that attaches the tube at the shell back bracket. Position the shell back to desired angle and re-attach the screw.
2. The lower mounting point is provided with a quick release pin to facilitate folding of the shell back.

**J. RECLINE ADJUSTMENT (OPTIONAL)**

1. Engage wheel locks and move to the child's left side.
2. Squeeze the recline adjustment lever. It is attached to the left side of the shell handle. (See Fig. 16)
3. Move the back to an appropriate position while watching the child. Take care to avoid pulling or crimping any life support tubing that may be attached to the child.
4. Release the adjustment lever to lock recline.



Figure 16

**Note:** One or more adjustment limiting collars may be attached to the seating system to reduce the range of available hip angles. They attach to the mechanical lock shaft. Consult your supplier and therapist for adjustment needs.



### K. KNEE ANGLE ADJUSTMENT

1. Engage wheel locks.
2. Press down on thumb activated levers at each side of the footbed hanger. Levers will not move easily until you have adequately supported the weight of the occupant's legs. (See Fig. 17)
3. Hold the levers and adjust knee angle.
4. Release the levers and allow the knee angle to lock into place as manual leg support is gently reduced.

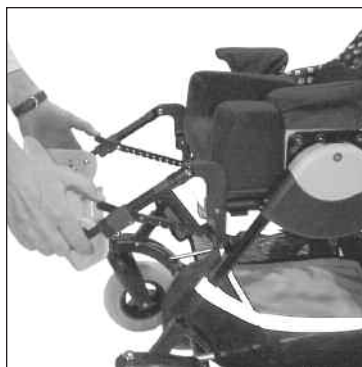


Figure 17

### L. SUNSHADE INSTALLATION AND ADJUSTMENT

#### Sunshade Installation

1. Loosen two thumbscrews located near the top of the back. They screw into black couplers on each side of the back.
2. Put the sunshade rod ends into the mounting holes, raise to or lower the sunshade to proper height, and tighten the thumbscrews.

#### Sunshade Adjustment

1. Once installed, adjust sunshade angle by pushing it forward or backward until desired position is obtained. (See Fig. 18)
2. Lift the front of the sunshade all the way up to swing it out of the way. (See Fig. 19)



Figure 18



Figure 19

### M. POSITIONING AND GROWTH ADJUSTMENTS GUIDE

#### **⚠ WARNING**

If necessary, a healthcare professional should make any changes to the positioning and growth adjustments. These adjustments are very important to the orthopedic and neurological needs of the child.

Care should be taken to make sure they are appropriate.

Use the 5/32" hex head tool provided or an electric screwdriver with a 5/32" hex head bit to adjust the seating and positioning system. The enclosed hand held hex bit wrench is ergonomically designed to work at many angles. An electric screwdriver with a 5/32" hex head bit is useful when doing several fittings. However, care must be taken to not over-loosen or over-tighten the screws.

In general, positioning and growth adjustments should be done in the following order:

1. Adjust seat
2. Adjust back
3. Adjust pelvic positioning belt
4. Adjust footbed
5. Adjust head support
6. Make other standard and optional adjustments needed
7. Check to be sure that all adjustment screws are tight

### N. SEAT DEPTH ADJUSTMENT

1. Determine the proper seat cushion depth.
2. Remove the seat cushion. It is attached with Velcro®.
3. Loosen the seat depth adjustment screws found on each side of the frame from under the seat base.
4. Once they are loose, grasp the bar under the front edge of the seat and slide to the desired length.
5. Re-tighten all four adjustment screws once the desired position is achieved. (See Fig. 20)

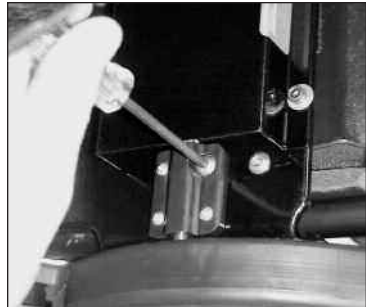


Figure 20

### O. STANDARD SEAT CUSHION ADJUSTMENT

The standard seat cushion comes in two seat lengths, short and long. The short seat is 7" long with capability for adding a 2" growth strip at the back of the cushion. The long seat is 9" long with capability for adding a 2" growth strip at the back of the cushion. Both are capable of adjustment from 5.5 to 11.5 inches width adjustment by adding or removing adductor foam pads.

To adjust width:

1. Unzip and remove seat cover. Add or remove the same combination of adductor foam pads to each side of the seat, to achieve the desired width.
2. Re-install the cover over the seat and close the zipper.



Standard Seating

To add growth strip:

1. Unzip seat cover to expose the back edge of the foam cushion.
2. Lift the foam overlay pad at the back of the seat and install the growth strip with tapered ends down.
3. Place the overlay evenly over the growth strip and close the zipper around the growth strip.

### P. CONTOURED SEATING SYSTEM CUSHION ADJUSTMENTS

The contoured seat cushion comes in two lengths: short and long. The short cushion is 7" long with capability to add either a 1 1/2" or 3" growth strip making the length 8 1/2" or 10" respectively. The long cushion is 8" long with capability to add either a 1 1/2" or 3" growth strip making the length 9 1/2" or 11" respectively. These growth strips are added at the center of the seat cushion.

The front and rear section of the cushion has Velcro® attachment points for positioning the adductor wedges provided. They attach to the front and rear section of the cushion under the foam overlay. The foam overlay attaches to Velcro® at the back of the seat.

## VII. OPERATING INSTRUCTIONS



### Contoured Seating

#### Adding growth strips:

1. Unzip seat cover and fold the top over the front edge to expose the cushion.
2. Lift the foam overlay piece away from the velcro attachment, using care not to tear the foam.
3. Grasp the rear foam section at the middle and lift it from the velcro attachment.
4. Add the either the 1 1/2" or the 3" growth strip at the back of the front foam section assuring that the angled edges and sides align.

**Note:** Never use both growth strips at the same time.

5. Re-attach the rear section assuring the angled edges and sides align.
6. Adjust the adductor wedges as needed and position the foam overlay over the cushion and attach to the velcro at the rear of the seat.
7. Close the zipper around the cushion and install into the unit.

#### Cleaning the seat cover:

1. Unzip the cover along the edge.
2. Remove the cushion assembly from the velcro attachment inside the cover.
3. The fabric seat cover should be hand washed in laundry soap, thoroughly rinsed with clean water and air dried.
4. The foam cushion pieces may be wiped down with soap and water. Always be sure they are completely dry before replacing the fabric cover.
5. Place the cushion into the fabric cover onto the velcro with the front edge of the cushion aligned with the front edge of the cover.
6. Pull the cover over the cushion and close the zipper around the cover.

### Q. STANDARD CUSHION WITHOUT LATERAL HIP SUPPORT

The standard Cushion without-Lateral Hip Supports comes in two seat lengths, short and long. The short seat is 7" long with capability for adding a 2" growth strip at the back of the cushion. The long seat is 9" long with capability for adding a 2" growth strip at the back of the cushion.

## R. BACK POSITIONING PLATE HEIGHT ADJUSTMENT

1. Open the exterior back panel fabric sections on the outside to expose the back growth slots and adjustment screws.
2. Loosen the screws through the access holes (a) (Fig. 21) behind the back plate on each side, adjust to proper height. Tighten and retighten both adjustment screws (Fig. 21).

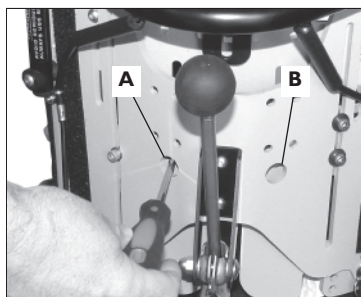


Figure 21

## S. BACK CUSHION HEIGHT ADJUSTMENT

1. Fit the back cushion to the positioning plate at proper height.
2. Add appropriate back cushion growth inserts if a gap is present at the bottom of the back cushion.

## T. FOOTBED ADJUSTMENTS

### Height Adjustment

Two telescoping tube sections and locks control footbed height.

1. Identify adjustment screw locations on the rear side of the footbed hanger.
2. Loosen upper screw on each side of the footbed hanger. (See Fig. 22)
3. Slide the footbed up or down to proper height.
4. Tighten both screws.
5. Repeat procedure using lower screw in step 2 if additional range is required.



Figure 22

### Angle Adjustment

1. The footbed has two screws that fit into a series of holes in the footbed sides and two more that allow footbed rotation. Remove the footbed angle adjustment screw on each side of the footbed. (See Fig. 23)



Figure 23

## VII. OPERATING INSTRUCTIONS

2. Adjust the footbed to proper angle and align nearest adjustment holes with the footbed couplers.  
Install adjustment screws through footbed and into footbed coupler to maintain proper footbed angle.

### Lengthening the Footbed for Maximum Lower Leg Length Adjustment

The foot bed is designed so that the brackets on the ends of the telescoping tubes can be reversed to add approximately 3 1/2" of leg length adjustment.

1. Remove the footbed from the telescoping tubes by unscrewing the four button head screws on the inside of the footbed.
2. Remove the screw from each bracket by backing it out far enough to allow the bracket to slip off the end of the tube.
3. Flip the bracket over and replace it on the end of the tube being careful to align the screw with the same hole in the end of the tube. Tighten the mounting screw so it goes through the hole and tightens up against the bracket.
4. Replace the footbed onto the brackets assuring the same angle adjustment is achieved.

### U. PELVIC POSITIONING BELT LENGTH ADJUSTMENT

1. Remove any belt twists and place the belts outside of the seating area.
2. Engage wheel locks, seat the child, and snap the pelvic positioning belt ends together.
3. Adjust belt length to provide a snug fit. The adjuster is to the child's left.



Positioning Belt

### V. PELVIC POSITIONING BELT POSITION ADJUSTMENT

For the standard seat configuration the belt is always adjusted to the rear most point (approximately 45°). When the contour seat cushion is used, the belt may be adjusted forward to achieve an adjustment of up to 90°.

1. Loosen the attachment screw one or two turns to allow the belt anchor point to slide in the slot.  
(See Fig. 24)



Figure 24

## VII. OPERATING INSTRUCTIONS

2. Move the belt to the desired adjustment position (leave in the rear most position when the standard seat configuration is used).
3. Tighten the screw securely.

**Note:** Install the nylon web strap wraps under the tube, beside the seat base, and back over the top of the tube. This keeps the belt in the outer most position so it does not interfere with the seat cushion.

### W. BUTTERFLY HARNESS

#### **⚠ WARNING**

**To avoid serious injury or problems with eating or breathing, the pelvic positioning belt must be used in combination with the butterfly harness. Make sure any needed adjustments are made to ensure that there is no possibility of obstructing the airway or any other undesired constrictions. Do not use the butterfly harness without the pelvic positioning belt.**



Figure 25



Figure 26

#### Harness Adjustment

1. Place child in the seating system and fasten the pelvic positioning belt.
2. Position the child's hips and tighten the pelvic positioning belt to the proper position.
3. Connect the butterfly harness to straps already fastened to the positioning shell. (See Fig. 25)
4. First, adjust the lower butterfly straps to keep the butterfly from riding up on the child's torso.
5. Then, adjust the upper straps making sure there is enough room around the child's neck for easy breathing and eating. (See Fig. 26)
6. Once the butterfly straps are adjusted, snap the lower straps into the plastic tri-glide up against the quick release buckle.

**X. LATERAL TRUNK SUPPORTS (OPTIONAL) ASSEMBLY TO THE SEATING SHELL**

1. Move aside the back upholstery and remove the back pad to expose back shell (d). (See Fig. 27)
2. Insert bolts and washers (a) from the rear of the shell through the adjustment slots (b). (See Fig. 27)
3. Thread the bolts into the lateral nut plate (c) clamping the lateral mounting plate (d) to the plastic shell. (See Fig. 28)
4. Tighten and properly seat the child to adjust the laterals.

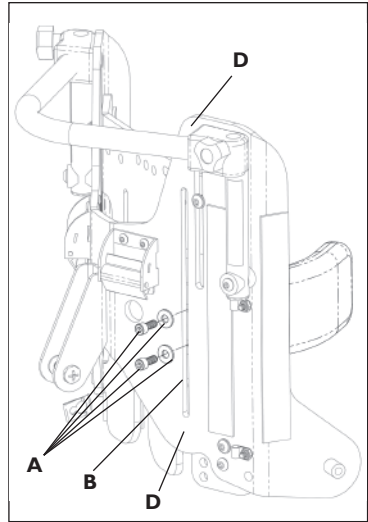


Figure 27

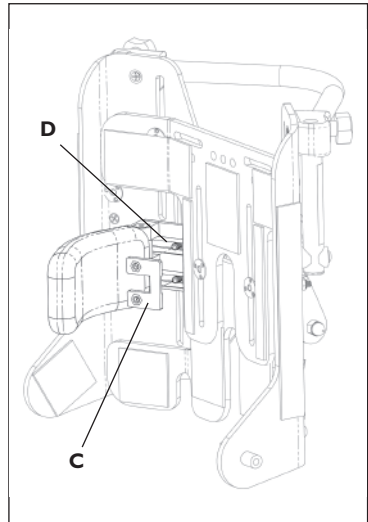


Figure 28



**Y. LATERAL TRUNK SUPPORT**

(OPTIONAL)

**Lateral Swing Away Operation:  
(See Fig. 28)**

1. Depress the silver lever (A) (See Fig. 28) allowing the lateral to swing inwards or outwards. This is useful for storage or helping a child into or out of the seating system.

NOTE\* the laterals lock into the adjusted preset position.

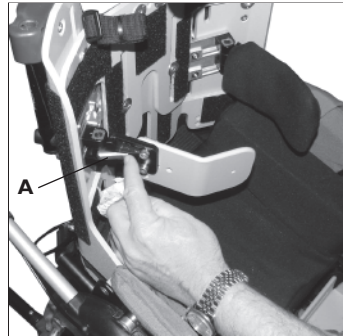


Figure 28

**Lateral Height and Width Adjustment: (Fig. 27)**

NOTE\* It is not necessary to remove the child from the seating shell.

1. Open the rear cover to access the adjustment screws.
2. Loosen the mounting screws (A) (See Fig. 27) from the rear of the shell only enough to gain movement of the laterals. Adjust the pads for height and width bringing the pads to the correct position.
3. Tighten firmly.

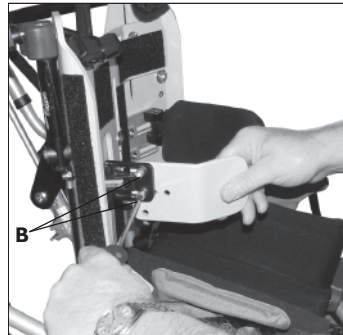


Figure 29

**Lateral Length Adjustment:  
(Fig. 29)**

1. Slide the lateral cover and foam forward or remove to expose adjustment screws
2. Loosen screws (B) and move lateral to proper length
3. Tighten screws and replace the foam and cover. Lateral Lock Angle Adjustment

NOTE\* this adjustment may be able to be accomplished with the child in the seating system.

**Lateral Rotation Adjustment:  
(See Fig. 30)**

1. Lock the lateral by rotating inwards
2. Loosen the angle lock screw (C) (See Fig. 30) shown on the top of the lateral hinge point
3. Adjust angle to the appropriate position and tighten.

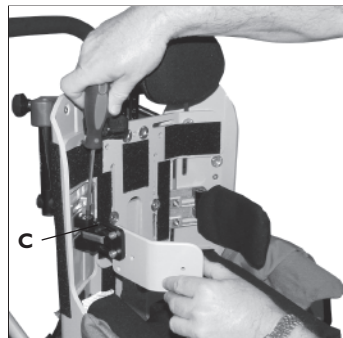


Figure 30

**Z. WHITMYER HEAD SUPPORTS**

Attaching Head Support Mount  
(See Fig. 31):

1. Remove back cushion and unsnap rear shell upholstery exposing two head support mounting holes at center back of inner seat shell.
2. Insert t-nuts (A) from inside of shell attaching headrest mount (B) with supplied bolts (C).
3. Tighten securely

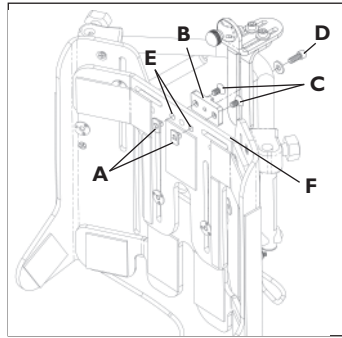


Figure 31

**Attaching Head Support  
(See Fig. 31):**

1. Align slot in head support vertical bar with the attached mount and assemble with height adjustment bolt (D) and washer.

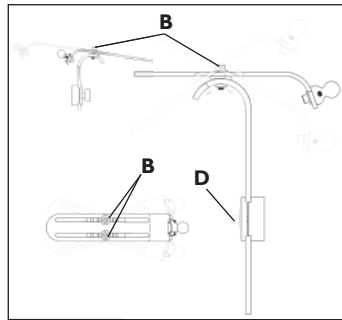


Figure 32

**Head Support Adjustment  
(Whitmyer Light Weight Head Support) (See Fig. 32)**

1. Height Adjustment: Bolt D (See Fig. 31)
2. Anterior/Posterior & Horizontal Angle Adjustment: Bolts B
3. Pad tilt and angle adjustment: Collar bolts C (See Fig. 34)



Figure 33

**Attaching Head Rest Pad  
(See Fig. 34)**

1. Remove vinyl collar cover and insert over the knurled headrest ball.
2. Loosen collar bolts enough to slip collar onto knurled ball.
3. Evenly tighten collar bolts. Make sure collar alignment is correct. (See Fig. 34)

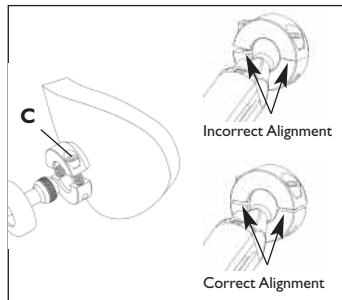


Figure 34

### AA. HEAD SUPPORT MODELS DFSQ1, DFSQ3, DFSQ10 AND DFSQ30

#### **⚠ WARNING READ BEFORE USE**

Read warnings and instructions often until they are second nature. Keep this guide with the product for further reference.

If you have any questions on the assembly and installation of this product please contact the A.R.T. Group at 866.725.SEAT or 850.575.3186 for international calls.

#### CHOOSING THE RIGHT POSITIONING PRODUCTS

1. Some clients, due to their disability level or physical condition, may need anterior supports to help maintain proper posture or body position. Such devices include head straps, shoulder straps, thoracic strap systems, pelvic supports, and belts.
2. The A.R.T. Group gives you a choice of many anterior and pelvic support styles and adjustments. However, final selection of the right product for your safety rests solely with you and your health-care advisor.

#### RISKS OF INJURY AND HOW TO AVOID THEM

Excess Movement or Migration of the Pelvis- This may cause the support to displace. If this occurs, severe injury to the client could result.

To avoid the risk:

- A. It is VITAL to keep the client in a stable pelvic position.
  - Anterior supports should ONLY be used with seat, back, and pelvic supports or belts that keep the client from sliding down in the seat.
- B. Anterior supports must be fitted by your authorized A.R.T. Group supplier and your healthcare professional.
- C. After fitting, anterior supports should ONLY be placed and adjusted by trained persons.
- D. DO NOT leave the client unattended when using anterior supports.
- E. This product has NOT been Transit Tested. Not recommended for use in a Transit environment



DFSQ1 & DFSQ3  
For use with S.O.F.T. Head Support systems



DFSQ10 & DFSQ30  
For use with Single Pad Head Support (Includes Anterior Support Interface)



## INSTALLATION:

1. Using an Allen® wrench: Loosen the rear occipital screwball (See Fig. 35) (A), adjust up or down to provide slot access.
2. Remove the bolt and washer (B) from the DFS2 mounting plate.
3. Fit the mounting plate to the front of the occipital mount slot as shown. Plate can be mounted above or below occipital pad.
4. Replace the bolt and washer and tighten (B).

### Forehead Strap Adjustment:

5. Using an Allen wrench: Loosen the guide rods adjustment screw (See Fig. 36) (F), and slide both guide rods evenly to desired diameter.
6. Locate neoprene strap (D) in desired position on forehead.
7. Slide guide rods through clamp until front of neoprene strap is approximately 1/2" from plastic guide support (E). Strap must fit snugly on forehead. (See Fig. 37) (H)
8. Re-Tighten guide rod adjustment screw (F) to hold position.
9. Guide rods may be trimmed to 1" limiting rearward protrusion. Vinyl caps should be removed prior to trimming and then reinstalled. (See Fig. 37) (I)
10. Re-adjust forehead strap as necessary.

### Downward Stop Angle Adjustment:

11. Using an Allen wrench loosen the angle adjustment clamp screws (See Fig. 35) (C).
12. Insert an Allen wrench into the exposed hole (See Fig. 36) (G) on the silver angle adjustment pivot and rotate until the forehead pad and guide rods are at the desired angle.
13. Re-tighten the angle adjustment clamp screws and check all settings.

**Notice:** Fasteners and DFS2 adjustment should be checked prior to each use. Neoprene Strap must be replaced at the first signs of wear or loss of tension.

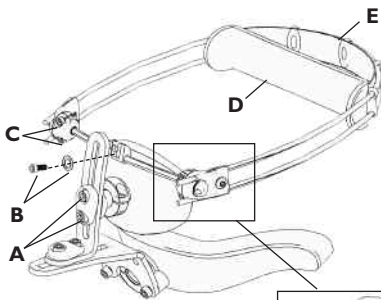


Figure 35

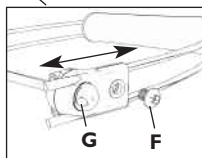


Figure 36

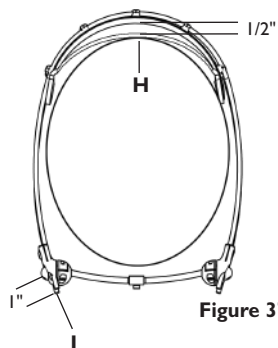


Figure 37

### BB. HIP PADS (OPTIONAL)

Hip pads are optional equipment available only with the optional contoured seating system.

#### Width Adjustment

1. Determine the proper location for each hip pad.
2. Remove the back cushion to expose hip pad adjustment screws.
3. Loosen two adjustment screws for each hip pad just enough to allow adjustment.
4. Adjust hip pads to the desired position.
5. Tighten the adjustment screws and replace the back cushion. (See Fig. 38)

**Note:** Hip pad hardware must be removed for hip widths greater than 10". The foam hip pad attaches beneath fabric at seat back to seat base pivot point to accommodate 11" hip width.

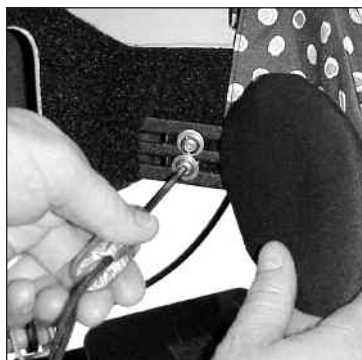


Figure 38

### CC. KNEE ADDUCTORS (OPTIONAL)

Knee adductors are optional equipment available only with the optional contoured seating system.

#### Angle and Width Adjustment

1. Locate knee adductor adjustment screws. Screws are located beneath the forward edge of the seat. Seat cushion removal aids greatly in finding screw location.
2. Lock wheels, seat child, and buckle the pelvic positioning belt.
3. Loosen two adjustment screws from beneath the seat and adjust knee adductor to proper width and angle. (See Fig. 39)
4. Tighten adjustment screws to lock adductor position.
5. Repeat adjustment sequence on opposite knee adductor.



Figure 39

**DD. KNEE ABDUCTOR BLOCK ADJUSTMENT (OPTIONAL)**

1. Identify abductor block adjustment screw location under the lead edge of the seat. There is only one abductor block adjustment screw. (See Fig. 40)
2. Loosen the adjustment screw.
3. Move the abductor block to the proper position and re-tighten the screw.
4. To remove the knee abductor, depress the button and lift the block out of the mounting bracket.

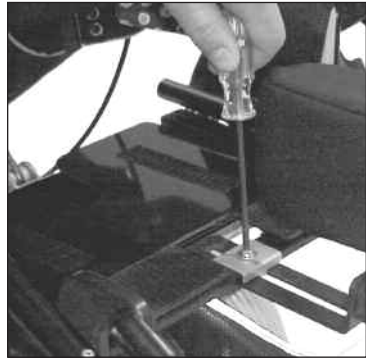


Figure 40

**EE. TRAY SUPPORT ADJUSTMENT**

1. Loosen two tray support adjustment hex screws on side of seat base.
2. Adjust tray support to proper position and tighten screws. (See Fig. 41)
3. Repeat procedure for opposite side armrest.



Figure 41

**FF. TRAY INSTALLATION AND ADJUSTMENT (OPTIONAL)**

1. Slide the tray over the tray supports, adjust depth and clamp it in place.
2. Adjust tray supports to get proper tray height and angle. (See Fig. 42)

**Note:** The tray will not work if tray support heights and angles are too different from one another. Try loosening both tray supports if tray will not align properly.

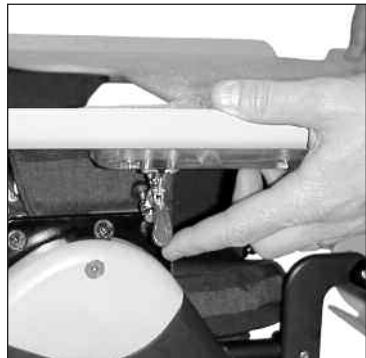


Figure 42

### GG. FOOT STRAP ADJUSTMENT (OPTIONAL)

Optional foot straps are intended for therapeutic positioning needs only.

#### **⚠ WARNING**

**Pelvic positioning belt use is critical for child safety when foot straps must be used for therapeutic positioning.**

1. Engage wheel locks and seat child.
2. Unlatch and loosen the two foot straps. (See Fig. 43)
3. Place child's foot into position and snap the foot strap into place.
4. Keep the straps as loose as possible and only tighten enough to maintain therapeutic position.



Figure 43

### HH. SHOE HOLDER STRAP ADJUSTMENT (OPTIONAL)

Shoe holders are intended only for therapeutic positioning needs.

#### **⚠ WARNING**

**Pelvic positioning belt use is critical for child safety when shoe holders must be used for therapeutic positioning.**

1. Engage wheel locks and seat child.
2. Loosen two shoe holder straps.
3. Child should be wearing shoes for this step. Place child's foot into shoe holder and snap the two shoe holder straps into place. (See Fig. 44)
4. Keep the straps as loose as possible and only tighten enough to maintain therapeutic position.



Figure 44

## VIII. MAINTENANCE

1. Spray tilt in space control plunger with Teflon-based lubricant every six months to ensure continued smooth operation. The spray can be purchased at most bike shops and hardware stores.
2. At least every four months, check all screws and knobs for tightness. If parts are missing, broken, damaged or worn, then stop use of the product until repairs are made, using factory-authorized parts.
3. Wipe down all plastic components periodically with disinfectant solution to maintain cleanliness.
4. Hand wash and air-dry the fabric components as needed.
5. Check tire pressure once a week. Refer to the pressure recommendations printed on the tire side wall (typically 35 psi).
6. Lubricate all moving components with Teflon lubricant only.

### CAUTION

Use of any other types of lubricant tend to foul moving components and may void warranty.

7. Check the wheel locks for proper operation. Rear wheels should skid rather than roll when pushed with a child in the product.
8. If the release lever is not returning to its locked position or if the locking mechanisms are not catching and locking the rear axle for transport, inspect them for any build up of dirt or grit. If dirt is present, the parts may be washed with warm soapy water, dried thoroughly and then relubricated with a teflon based lubricant from a bike shop or hardware store. Always check to assure this procedure corrected the problem. If there is not a build up of dirt or grit, the lubricant will help mechanisms function smoothly.



**A. FOR LIFETIME**

Sunrise warrants the frame and cross brace if applicable of this wheelchair against defects in materials and workmanship for the life of the original purchaser.

The expected life of this frame is five years.

**B. FOR ONE (1) YEAR**

We warrant all Sunrise-made parts and components of this wheelchair against defects in materials and workmanship for one year from the date of first consumer purchase.

**C. LIMITATIONS**

1. We do not warrant:
  - a. Tires and tubes, upholstery, pads and push-handle grips.
  - b. Damage from neglect, accident, misuse, or from improper installation or repair.
  - c. Products modified without Sunrise Medical's express written consent.
  - d. Damage from exceeding the weight limit.
2. This warranty is VOID if the original chair serial number tag is removed or altered.
3. This warranty applies in the USA only. Check with your supplier to find out if international warranties apply.
4. This warranty is not transferable and only applies to the first consumer purchase of this wheelchair through an authorized Sunrise Medical dealer.

**D. WHAT WE WILL DO**

Our sole liability is to repair or replace covered parts. This is the exclusive remedy for consequential damages.

**E. WHAT YOU MUST DO**

1. Obtain from us, while this warranty is in effect, prior approval for return or repair of covered parts.
2. Return the wheelchair or part(s), freight pre-paid, to Sunrise Mobility Products Division at: 2842 Business Park Avenue, Fresno, CA 93727-1328.
3. Pay the cost of labor to repair, remove or install parts.

**F. NOTICE TO CONSUMER**

1. If allowed by law, this warranty is in place of any other warranty (written or oral, express or implied, including a warranty of merchantability, or fitness for a particular purpose).
2. This warranty gives you certain legal rights. You may also have other rights that vary from state to state.

Record your serial number here for future reference:

\_\_\_\_\_



---

**Sunrise Medical, Inc.**

7477 East Dry Creek Parkway • Longmont, Colorado • 80503 USA

(800) 333-4000

In Canada (800) 263-3390